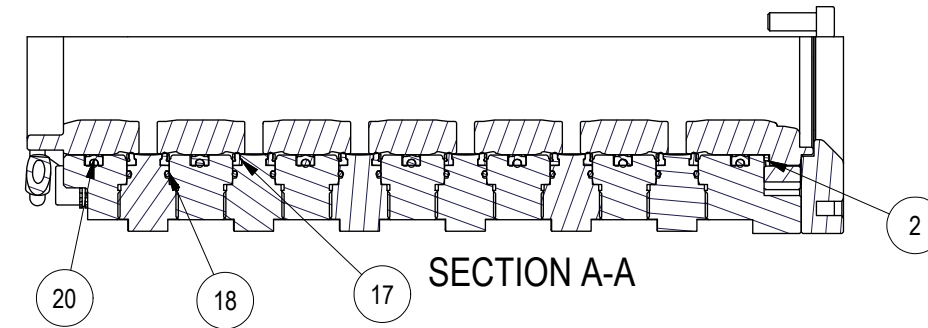


Parts List				Parts List					
ITEM	QTY	PART No.	DESCRIPTION	MATERIAL	ITEM	QTY	PART No.	DESCRIPTION	MATERIAL
1	2	BA5456	BA5456 Earth Cable wCable Shoes L=100mm 6,0mm2	N/A	14	2	100759	M8 Washer Serrated Lock DIN 6798 A4	A4-80
2	1	BA2466	Thrust Bearing Ø55 VStab	UNSC63200 (OM7)	15	1	100639	M5x8 Socket Head Bolt DIN 912 A4-80	A4-80
3	1	BA2094	Center Core Ø55 VStab Rec HP	S32750 SUPER DUPLEX	16	1	100526	M8x16 Socket Head Bolt DIN 912 A4-80	A4-80
4	1	BA2093	Housing Ø55 HP VStab Rec 250Bar Interv	AL 6082 T6	17	6	100207	Cartridge Seal Ø14xØ8,1x4,35 HPU/BZ7	HPU/BZ7
5	1	BA1954	Spring for Lock Function VStab Rec	TITAN G5	18	6	100189	O-Ring BS013 D1=10,82 D2=1,78	NBR
6	1	BA1948	Top Plate Ø55 VStab Rec	S165M	19	2	100173	M8x45 Socked Head Bolt DIN 912 A4-80	A4-80
7	1	BA1947	Torque Arm Core Ø55 VStab Rec	AISI 316L	20	7	100132	Stab Seal Int. Ø78xØ85x6,2 HPU/NBR70	HPU/NBR
8	6	BA1946	Cartridge for Ø55 VStab Rec	UNSC63200 (OM7)	21	2	100118	M8 Nut DIN 934 A4	A4-80
9	1	BA1611	D-Handle for Valve Stab	AISI 316L	22	3	100117	Ø8,4 Washer DIN 125 A4	A4-80
10	2	BA1601	Flex Pad	NBR	23	10	100002	M6x16 Socket Head Bolt DIN 912 A4-80	A4-80
11	1	101904	Label for Valve Stab Receptacles Green 27X15	N/A					
12	1	101903	Label for Valve Stab Receptacles Red 27X15	N/A					
13	2	101498	Ø5 Washer Serrated Lock DIN 6798A A4	A4-80					



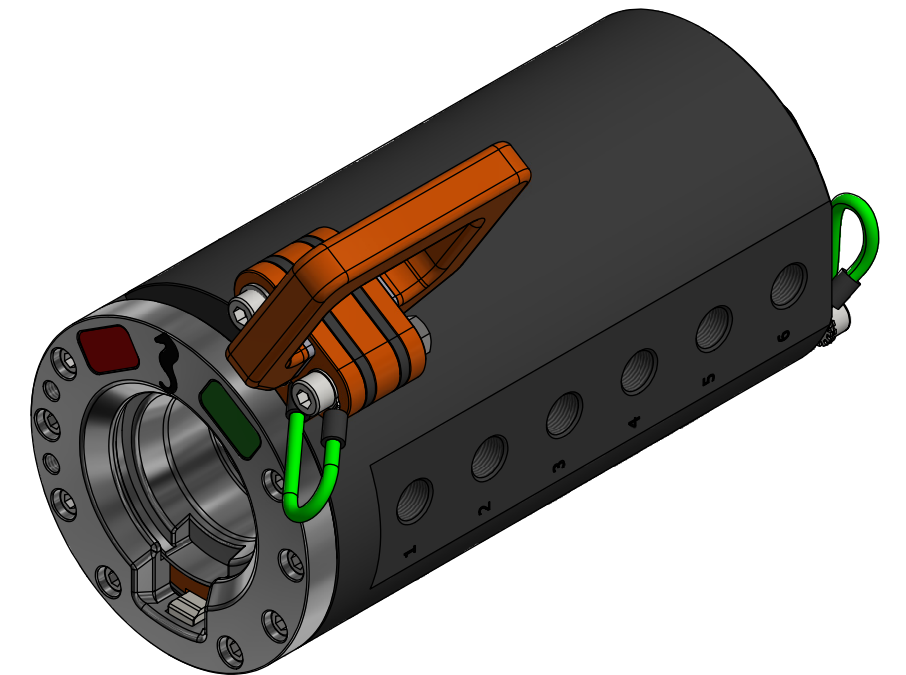
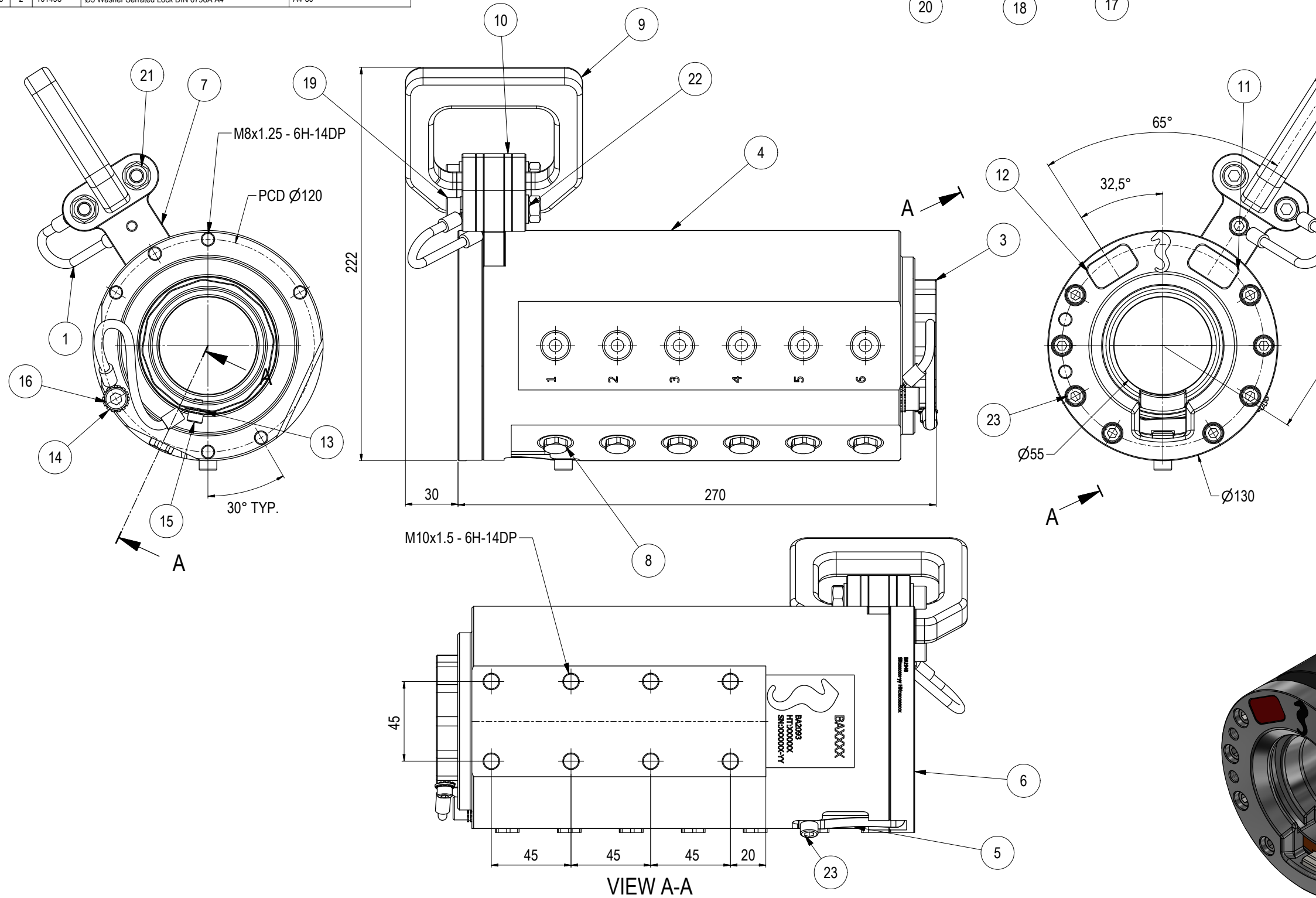
NOTE: 1
DESIGN CODE:
NS-EN 13445

NOTE: 2
TECHNICAL CLASSIFICATION:
Article Type: 003-Valve Stabs
Main Group: 3.03. Ø55-Valvestab
Intermediate Group: 3.12.02. Receptacle
Sub Group: 3.12.69.6. Hexa

NOTE: 3
INTERFACE INFORMATION:
Pressure Rating Bar: 250
Design Water Depth: 3000m
Material: Intervention
Weight in Air: 11,7 kg
Volume: 2,66 dm³
Submerged Weight: 8,98 kg
Surface Area: 4970 cm²
Hydraulic: 3/8" BSP
Mechanical: N/A
Electrical: N/A
Com. & Protocol: N/A

NOTE: 4
SPAREPARTS:
See Blue Logic dwg BB1690
<https://e-sea.bluelogic.no/main.aspx?page=article&artno=BB1690>

NOTE: 5
Item 9 D-Handle and item 7 Torque Arm Xylan (PTFE) coated. Item 4 receptacle housing hard anodized. All other parts bare material



14	29.5.2024	9-IFU (Issued for Use)		WTJ	HNJ	WTJ
13	30.11.2023	9-IFU (Issued for Use)		WTJ	LGH	WTJ
12	31.1.2019	9-IFU (Issued for Use)		WTJ	LGH	WTJ
11	7.1.2019	9-IFU (Issued for Use)		WTJ	LGH	WTJ
Rev.	Date	Reason for issue	Revision change	Made	Chk'd	Appr.



Dwg Scale: NTS	Dwg Proj: 	Drawing title: Ø55 HP VStab Rec 250Bar Interv Man BSP 3/8"
Dwg Format: A3		Drawing number: BA2092
		Rev: 14